

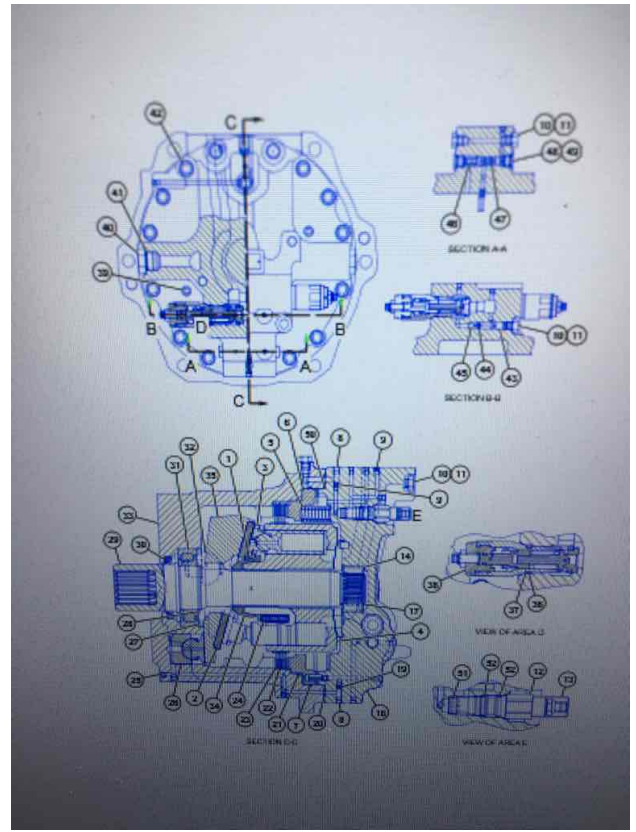


Motors & Pumps 2095895 MOTOR GP - PSF

\$18,750.00
CAD

Images





Description

MOTOR GP - PSF

Additional Information

| | |
|----------------|----------------------------------|
| Manufacturer | OTHER |
| Location | Barrie (Used/Restored parts), ON |
| Length | 62 |
| Height | 63 |
| Inventory Type | Restored |
| Seller | Toromont CAT |

Certifications

Payment details

At the time of purchase, a \$500 deposit per equipment will be charged to your credit card.

Once the deposit is processed, you will receive an email that confirms your equipment is reserved and you will get detailed instructions on how to finalize your equipment purchase. A seller representative will contact you within one (1) business day to assist you in this process.

The balance must be paid by wire transfer. If payment is not received within three (3) business days, the equipment will no longer be reserved, and your deposit may be refunded.

Deposit Refund

A Deposit is refundable up to the close of business on the third business day following the payment of the Deposit. To request a refund, submit your request to tequip@toromont.com with your Order Confirmation Number, a Toromont Equip representative will contact you to finalize the refund as per the terms of the General Sale & Service Agreement available at Check Out.

Financing

To learn about our financing options, please visit: <https://www.toromontequip.com/en/financing>

Some products and equipment might not be eligible for financing.

Shipping & pickup

Buyer is responsible for shipping arrangements and all costs related to transporting the equipment including permits, tear-down, cranes, or other incidentals that may be required to legally transport your purchase.

Following the settlement of the outstanding balance, arrangements must be made immediately to have equipment picked up within ten (10) business days as Toromont may, at its discretion, assess storage fees.

FAQ

The product images shown are for illustration purposes only and may not be an exact representation of the product. Depicted attachments may not be included. You are advised not to rely on the product image. Toromont reserves the right to change product images at any time without notice and without liability accruing to Toromont or the company selling the equipment.

You can contact one of our representatives from Monday to Friday, 7 a.m. to 5 p.m. (EST) at [1 833 953-7847](tel:18339537847).

